



Brook

P5 PLUS

FIGHTING BOARD

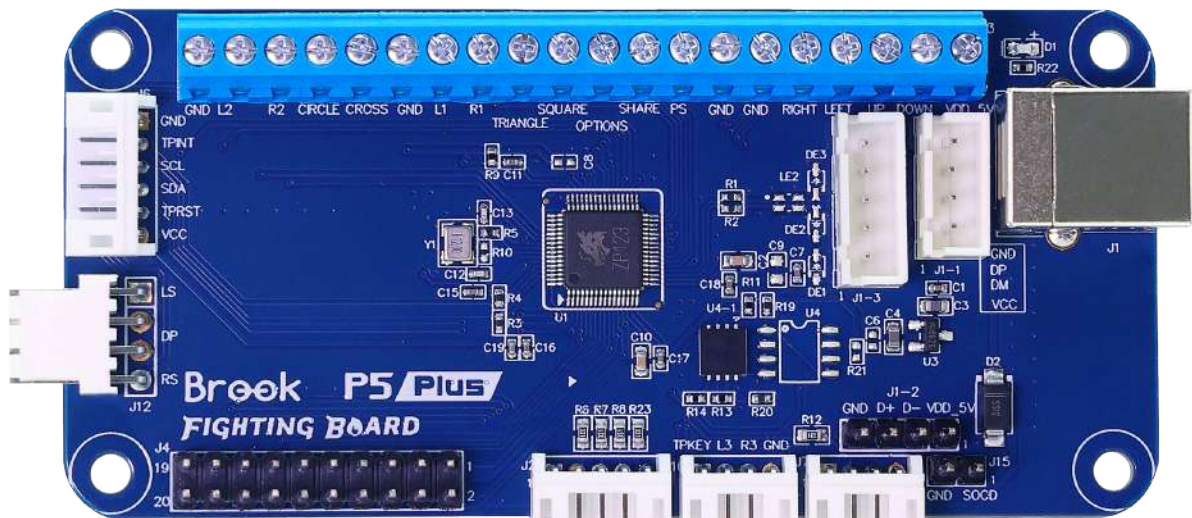
EN

TW

JP

KR

User Guide

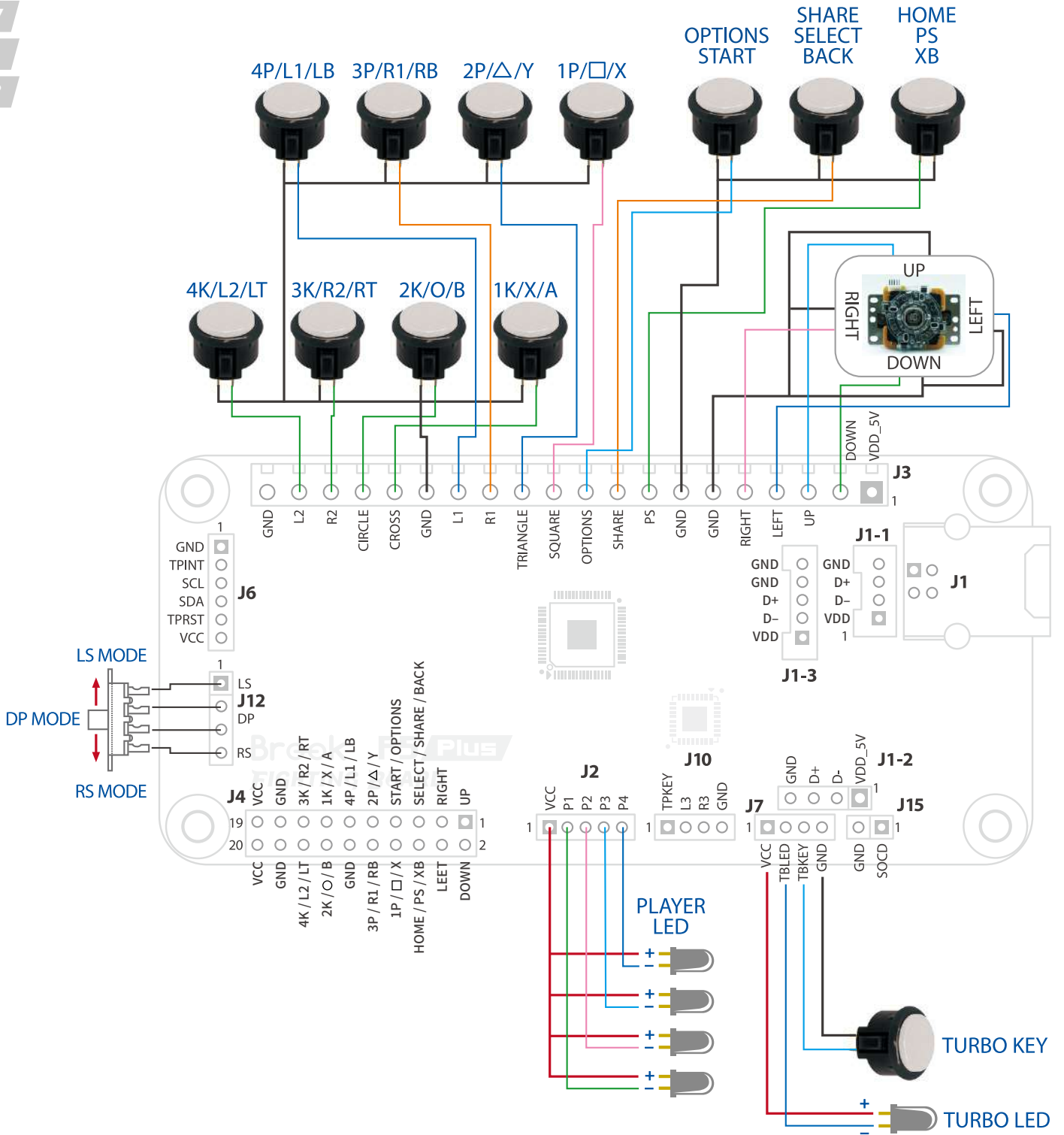


© Brook All Rights Reserved.
www.brookaccessory.com

How to connect

— GND
— Power

EN
TW
JP
KR



Basic button conguration

EN
TW
JP
KR

PCB Define	PS5	PS4	PC (X input)	Nintendo Switch
Stick in DP Mode	D-Pad	D-Pad	D-Pad	D-Pad
1P	□	□	X	Y
2P	△	△	Y	X
3P	R1	R1	RB	R
4P	L1	L1	LB	L
1K	×	×	A	B
2K	○	○	B	A
3K	R2	R2	RT	ZR
4K	L2	L2	LT	ZL
L3	L3	L3	LTSB	LSB
R3	R3	R3	RTSB	RSB
SELECT	Create	Share	Back	Minus
START	Options	Options	Start	Plus
Stick in LS Mode	Lx	Lx	Lx	Lx
Stick in LS Mode	Ly	Ly	Ly	Ly
Stick in RS Mode	Rx	Rx	Rx	Rx
Stick in RS Mode	Ry	Ry	Ry	Ry
PS/ XBOX	PS	PS	Guide	Home
TPKEY	Touch Key	Touch Key	*	Capture

*No Function.

J2 Player LED Guide

● LED ON ○ LED OFF

EN
TW
JP
KR

Player	PS5	PS4	PS3	XInput
1P				
2P				
3P				
4P				
5P
6P
7P

Console manual selection

The P5 PLUS FIGHTING BOARD

support manual selection of PS5 , PS4 , PS3 , Switch.

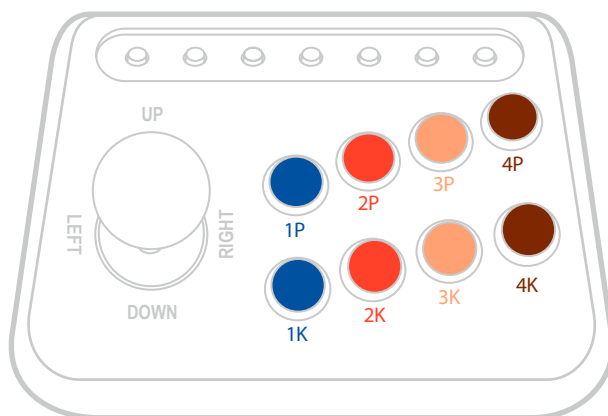
EN

TW

JP

KR

Manual Mode



Step.1 Press button.

- 1P ● = PS3
- 2P ● = PS4 、 PS5
- 3P ● = PC
- 1K ● = Switch

Step.2 While Pressing connect fightstick to PC / Console

* When uses manual mode, the device mode will be saved automatically. If you want to switch back to the automatic detection mode, please hold down "Option (menu)" button and then plug USB cable to PC / console.

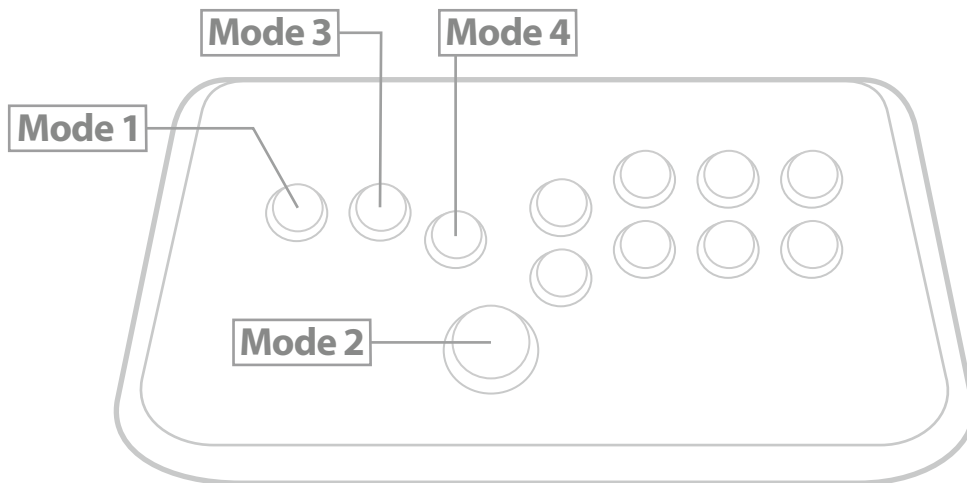
SOCD Mode Switching Tutorial

Simultaneous Opposing Cardinal Directions.

1. Default setting is mode 1
2. SOCD will be automatically saved

Switch method

Please hold down the corresponding button first, then insert the power cable into the console to switch modes.



	Mode 1 UP Priority	Mode 2 CAPCOM / Neutral	Mode 3 Last Priority	Mode 4 BYPASS
← + →	Neutral	Neutral	→	← + →
→ + ←	Neutral		←	→ + ←
↑ + ↓	↑		↓	↑ + ↓
↓ + ↑	↑		↑	↓ + ↑



ZEROPLUS TECHNOLOGY CO.,LTD.

www.brookaccessory.com

Visit our website for more information and assistance.

©2023 Zeroplus Technology Co., Ltd. All Rights Reserved.
Brook is the registered trademark of Zeroplus Technology Co., Ltd. The other trademark names are the used marks, trademarks or registered trademarks of the corresponding companies.



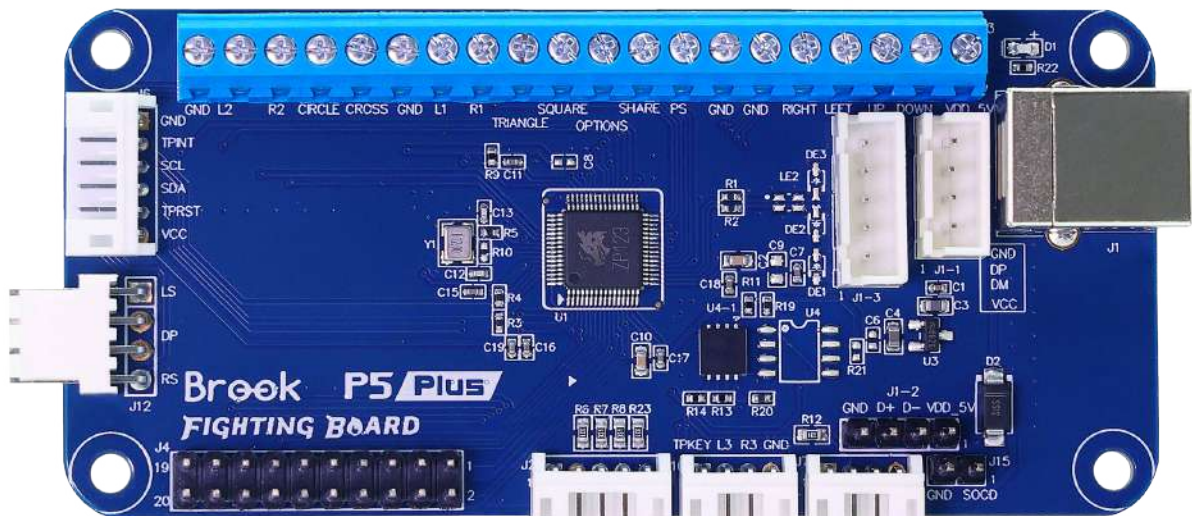


P5 PLUS

FIGHTING BOARD

EN
TW
JP
KR

使用者指南



© Brook All Rights Reserved.
www.brookaccessory.com

如何連接

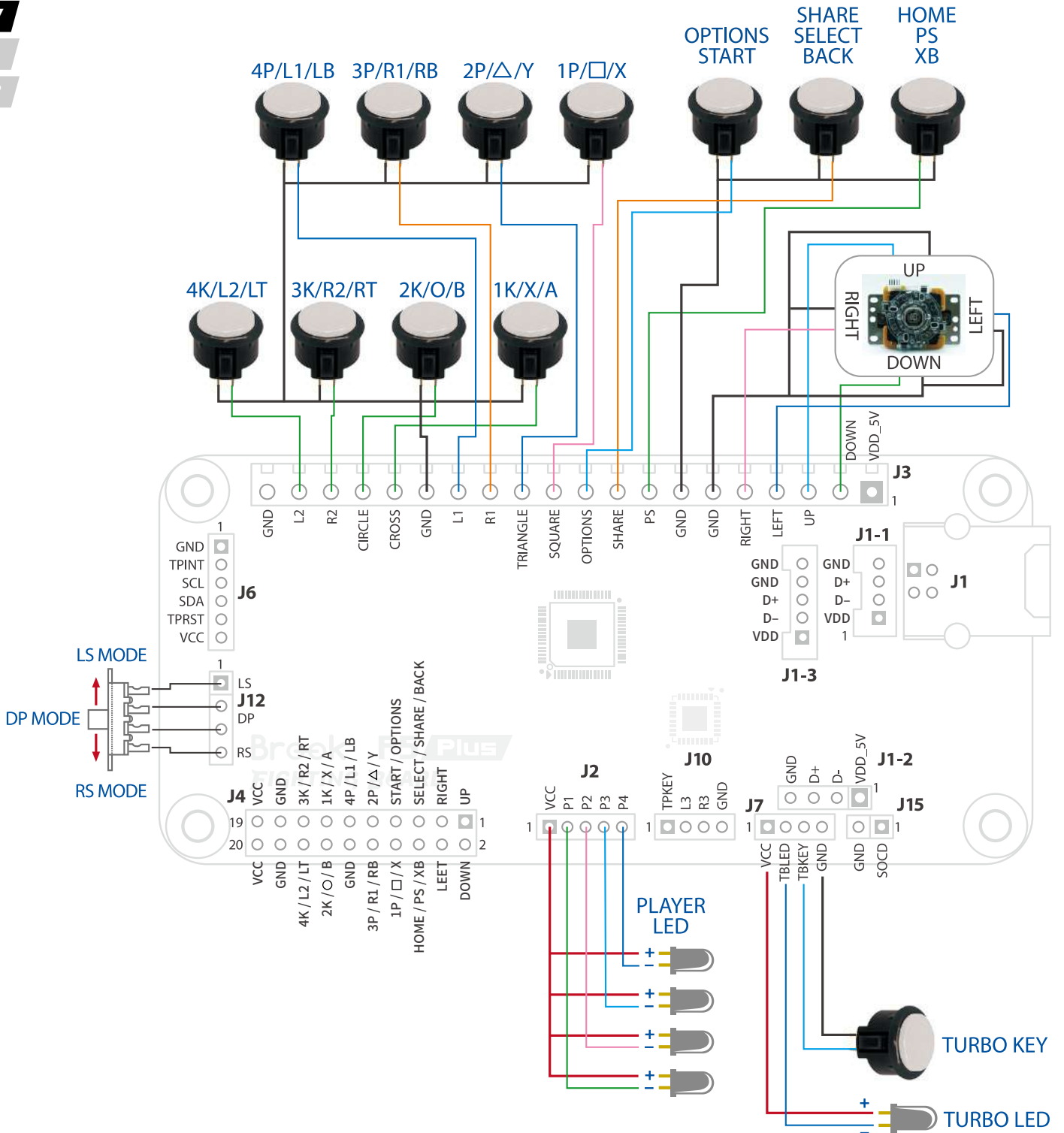
— GND
— Power

EN

TW

JP

KR



按鈕對照表

EN
TW
JP
KR

PCB Define	PS5	PS4	PC (X input)	Nintendo Switch
Stick in DP Mode	D-Pad	D-Pad	D-Pad	D-Pad
1P	□	□	X	Y
2P	△	△	Y	X
3P	R1	R1	RB	R
4P	L1	L1	LB	L
1K	×	×	A	B
2K	○	○	B	A
3K	R2	R2	RT	ZR
4K	L2	L2	LT	ZL
L3	L3	L3	LTSB	LSB
R3	R3	R3	RTSB	RSB
SELECT	Create	Share	Back	Minus
START	Options	Options	Start	Plus
Stick in LS Mode	Lx	Lx	Lx	Lx
Stick in LS Mode	Ly	Ly	Ly	Ly
Stick in RS Mode	Rx	Rx	Rx	Rx
Stick in RS Mode	Ry	Ry	Ry	Ry
PS/ XBOX	PS	PS	Guide	Home
TPKEY	Touch Key	Touch Key	*	Capture

*No Function.

J2 玩家燈號顯示指南

● LED 亮 ○ LED 滅

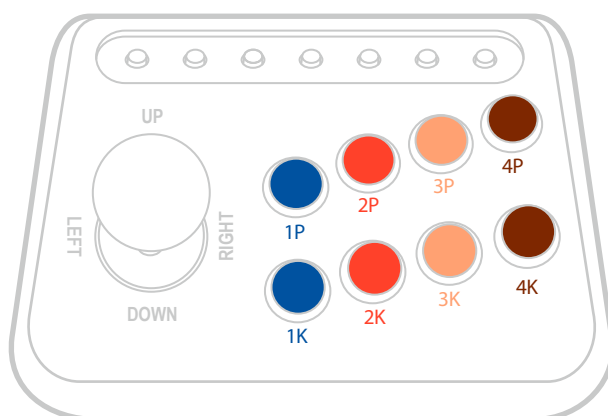
Player	PS5	PS4	PS3	XInput
1P				
2P				
3P				
4P				
5P
6P
7P

EN
TW
JP
KR

手動選擇模式

可手動設定 PS5 / PS4 / PS3 / Switch 模式。

手動模式操作步驟



步驟 1. 按住不放。

- 1P ● = PS3
- 2P ● = PS4、PS5
- 3P ● = PC
- 1K ● = Switch

步驟 2. 大搖桿連接 *PC* 或主機。

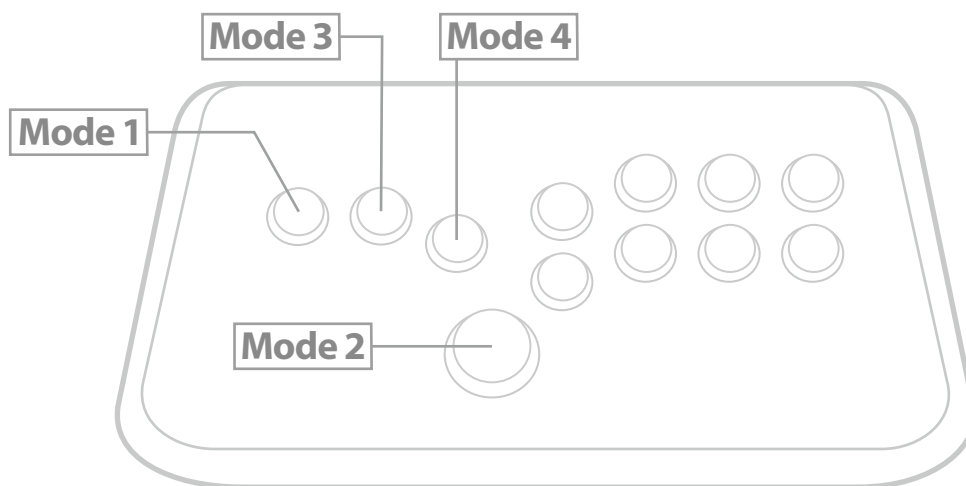
* 手動設定模式後，會自動儲存所選模式。如要切換回自動偵測模式，請按住“Option (menu)”並重新插上USB 連接電腦或遊戲主機。

SOCD 模式切換教學

SOCD意為相反方向指令衝突時，判定主要輸出指令的模式。

1. 出廠預設值是Mode 1
2. SOCD模式設定後會自動儲存

切換 按住以下對應按鈕後，將電源線插入主機進行切換。



	Mode 1 UP Priority	Mode 2 CAPCOM / Neutral	Mode 3 Last Priority	Mode 4 BYPASS
← + →	Neutral	Neutral	→	← + →
→ + ←	Neutral		←	→ + ←
↑ + ↓	↑		↓	↑ + ↓
↓ + ↑	↑		↑	↓ + ↑

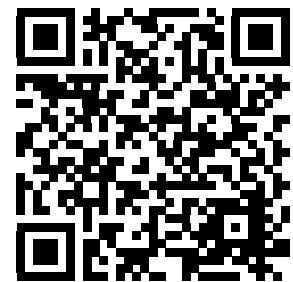


ZEROPLUS TECHNOLOGY CO.,LTD.

www.brookaccessory.com

欲了解更多詳情，請訪問我們的官方網站

©2023 Zeroplus Technology Co., Ltd. All Rights Reserved.
Brook is the registered trademark of Zeroplus Technology Co., Ltd. The other trademark names are the used marks, trademarks or registered trademarks of the corresponding companies.



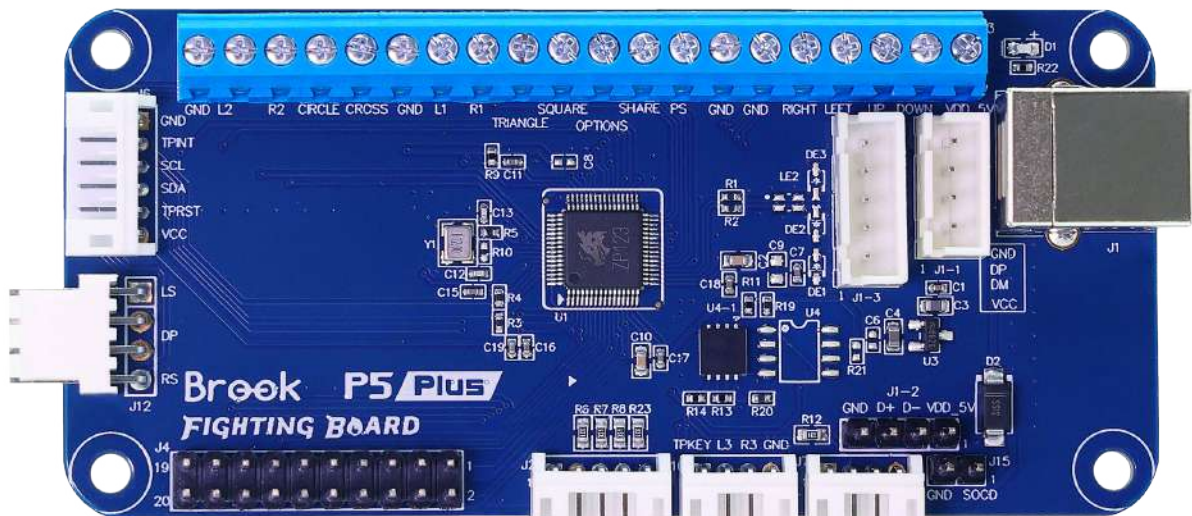


P5 PLUS

FIGHTING BOARD

EN
TW
JP
KR

ユーザーガイド



接続方法は

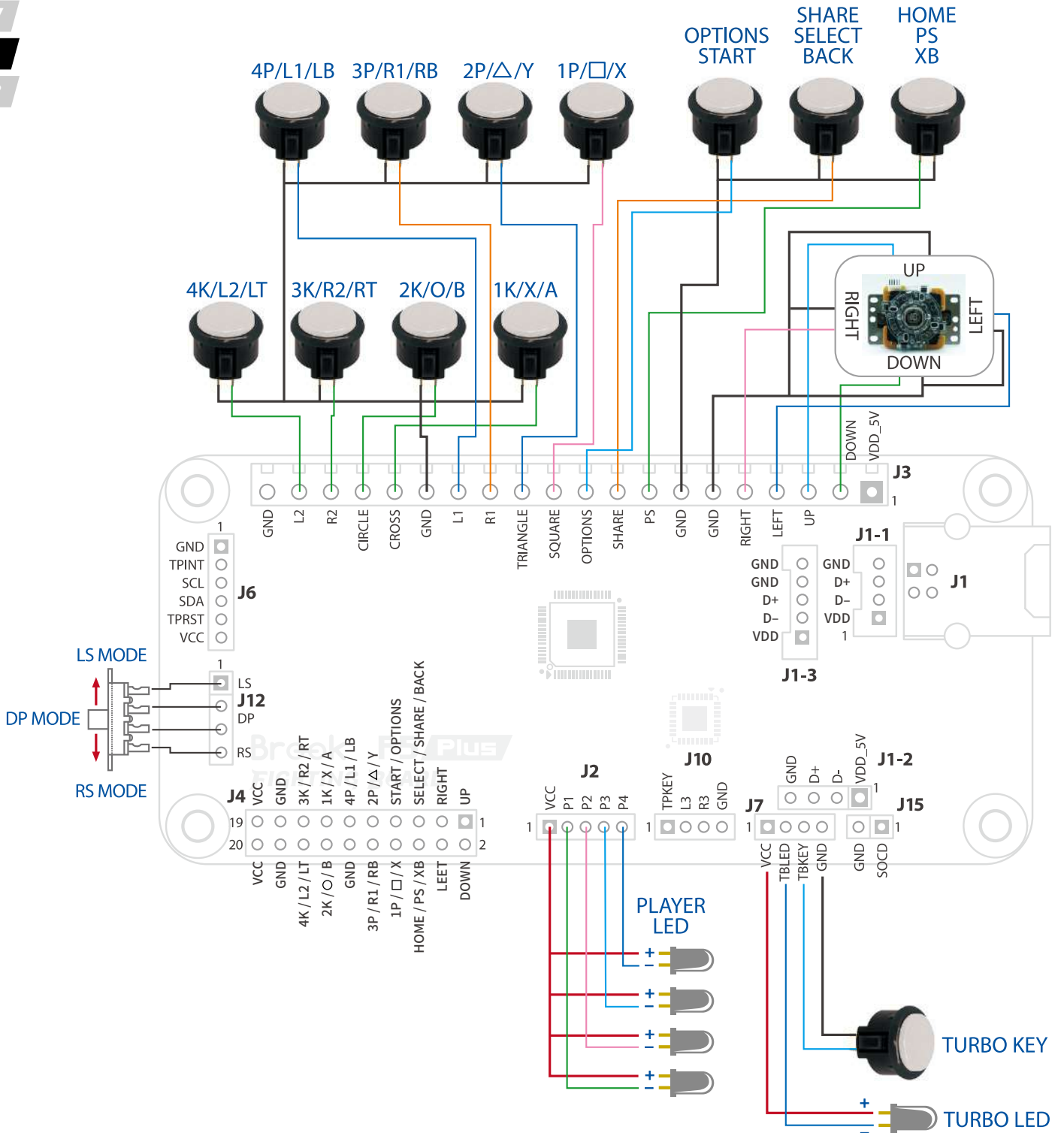
— GND
— Power

EN

TW

JP

KR



基本的なボタン構成

EN
TW
JP
KR

PCB Define	PS5	PS4	PC (X input)	Nintendo Switch
Stick in DP Mode	D-Pad	D-Pad	D-Pad	D-Pad
1P	□	□	X	Y
2P	△	△	Y	X
3P	R1	R1	RB	R
4P	L1	L1	LB	L
1K	×	×	A	B
2K	○	○	B	A
3K	R2	R2	RT	ZR
4K	L2	L2	LT	ZL
L3	L3	L3	LTSB	LSB
R3	R3	R3	RTSB	RSB
SELECT	Create	Share	Back	Minus
START	Options	Options	Start	Plus
Stick in LS Mode	Lx	Lx	Lx	Lx
Stick in LS Mode	Ly	Ly	Ly	Ly
Stick in RS Mode	Rx	Rx	Rx	Rx
Stick in RS Mode	Ry	Ry	Ry	Ry
PS/ XBOX	PS	PS	Guide	Home
TPKEY	Touch Key	Touch Key	*	Capture

*No Function.

J2 LED ライト信号表示対応表

● LED 点 ○ LED 滅

Player	PS5	PS4	PS3	XInput
1P				
2P				
3P				
4P				
5P
6P
7P

EN
TW
JP
KR

マニュアル設定

PS5 / PS4 / PS3 / Switch の対応はマニュアル設定可能です。

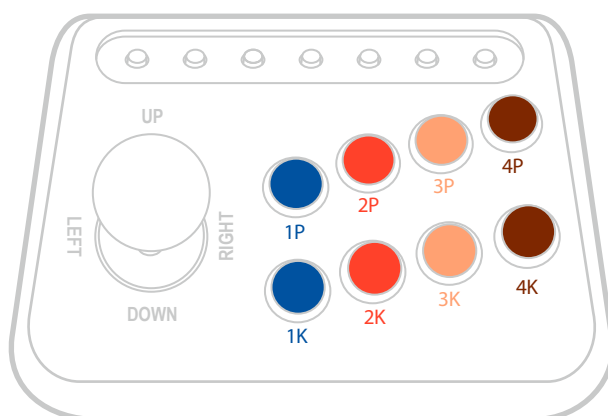
EN

TW

JP

KR

マニュアル設定の操作手順



ステップ 1. 押しながらステップ 2. へ移行。

1P ● = PS3

2P ● = PS4、PS5

3P ● = PC

1K ● = Switch

ステップ 2. ご使用のアーケードスティックを PC またはゲーム機に接続します。

* モード設定後、選択したモードは自動的に保存されます。

* “Option (menu)” ボタンを押しながら、PC またはゲーム機に再度接続すると、自動検出モードに戻ります。

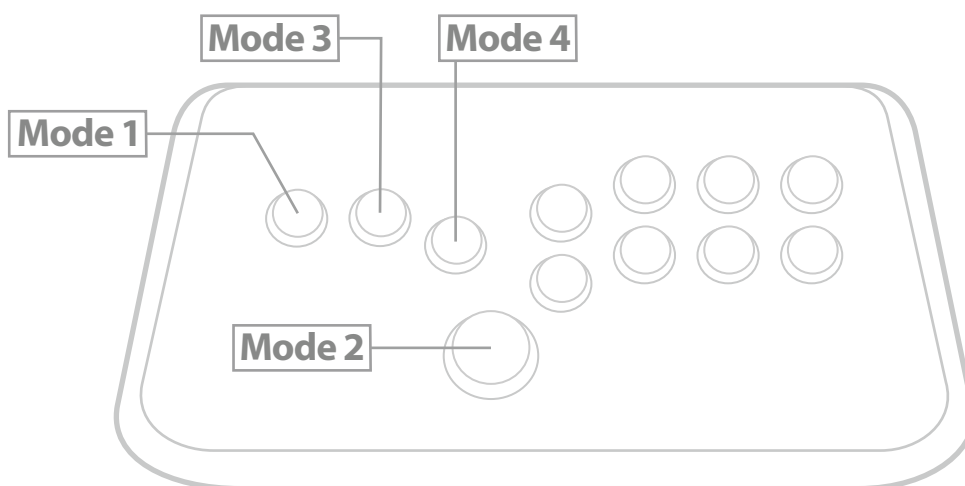
SOCD モード切り替えチュートリアル

SOCDは逆方向の指示が衝突した場合、主要な出力指示を判定するモードです。

1. 出荷時のデフォルト設定はモード1です。
2. SOCDモードの設定は自動的に保存されます。

切り替え方法

まず、該当ボタンを押したまま電源ケーブルを本体に挿入して、モードを切り替えてください。



	Mode 1 UP Priority	Mode 2 CAPCOM / Neutral	Mode 3 Last Priority	Mode 4 BYPASS
← + →	Neutral	Neutral	→	← + →
→ + ←	Neutral		←	→ + ←
↑ + ↓	↑		↓	↑ + ↓
↓ + ↑	↑		↑	↓ + ↑



ZEROPLUS TECHNOLOGY CO.,LTD.

www.brookaccessory.com

詳細については、当社の公式ウェブサイトをご覧ください。

©2023 Zeroplus Technology Co., Ltd. All Rights Reserved.
Brook is the registered trademark of Zeroplus Technology Co., Ltd. The other trademark names are the used marks, trademarks or registered trademarks of the corresponding companies.



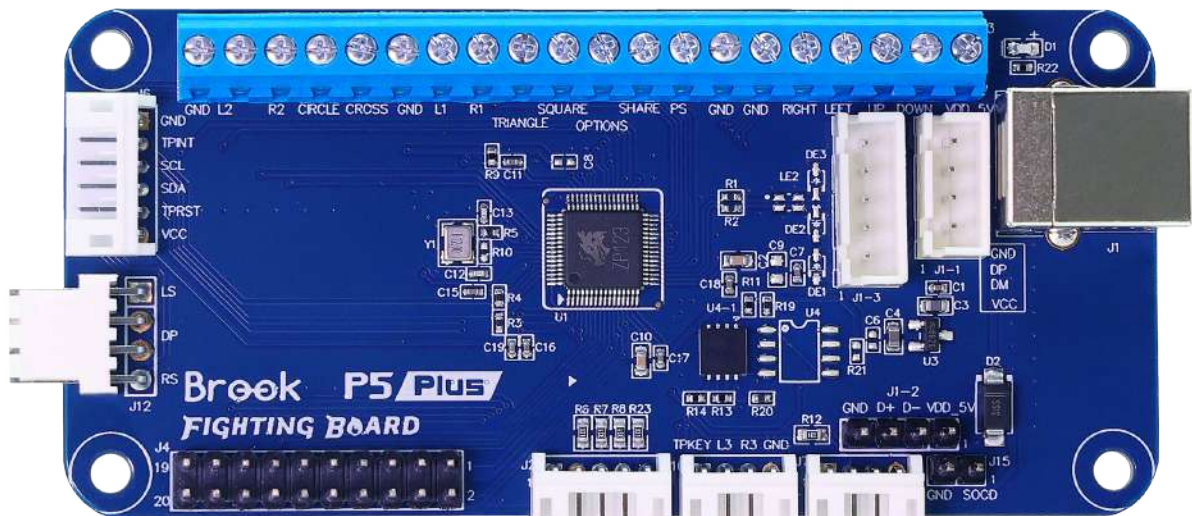


P5 PLUS

FIGHTING BOARD

EN
TW
JP
KR

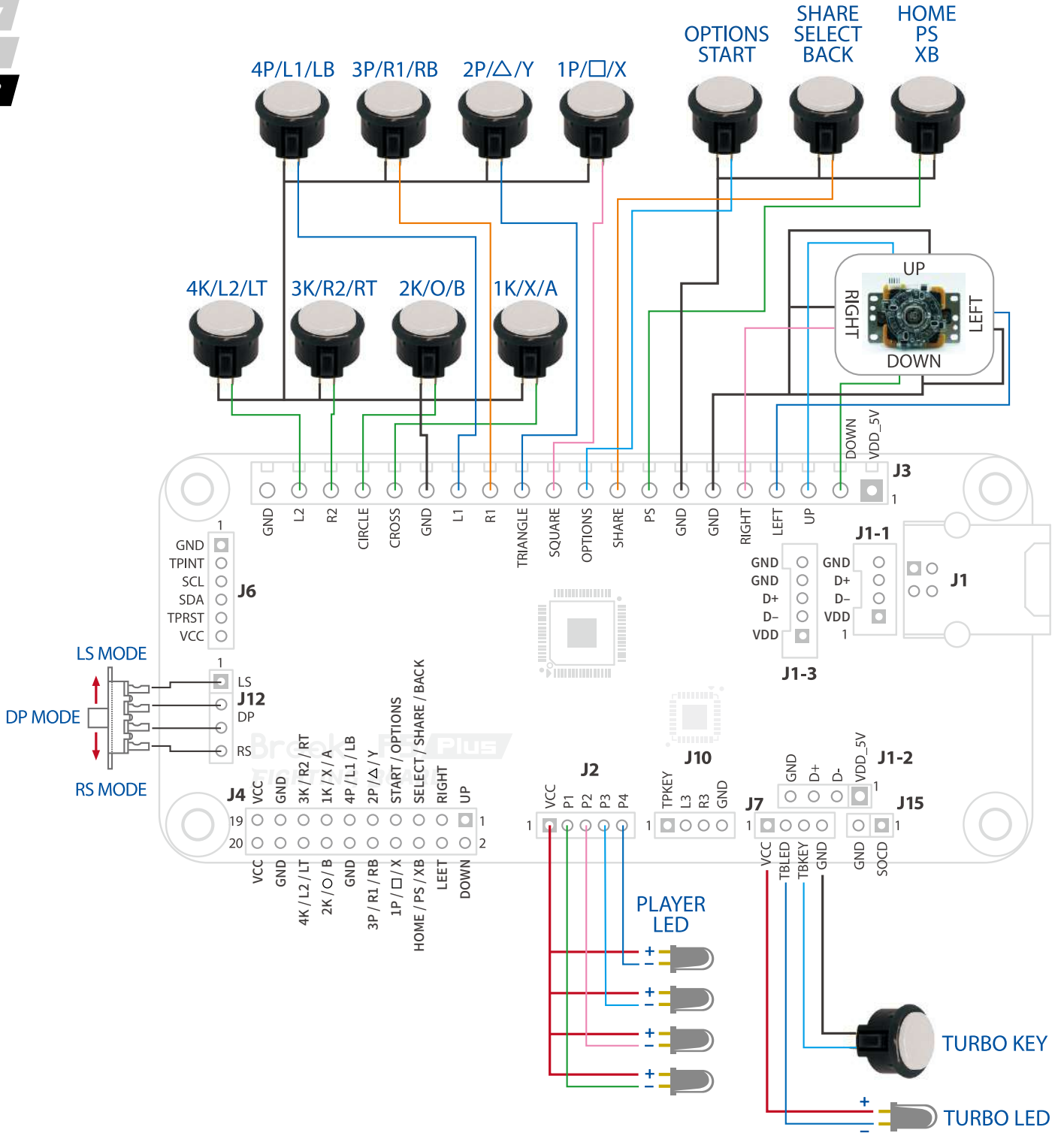
매뉴얼



연결 배선도

— GND
— Power

EN
TW
JP
KR



버튼 비교표

EN
TW
JP
KR

PCB Define	PS5	PS4	PC (X input)	Nintendo Switch
Stick in DP Mode	D-Pad	D-Pad	D-Pad	D-Pad
1P	□	□	X	Y
2P	△	△	Y	X
3P	R1	R1	RB	R
4P	L1	L1	LB	L
1K	×	×	A	B
2K	○	○	B	A
3K	R2	R2	RT	ZR
4K	L2	L2	LT	ZL
L3	L3	L3	LTSB	LSB
R3	R3	R3	RTSB	RSB
SELECT	Create	Share	Back	Minus
START	Options	Options	Start	Plus
Stick in LS Mode	Lx	Lx	Lx	Lx
Stick in LS Mode	Ly	Ly	Ly	Ly
Stick in RS Mode	Rx	Rx	Rx	Rx
Stick in RS Mode	Ry	Ry	Ry	Ry
PS/ XBOX	PS	PS	Guide	Home
TPKEY	Touch Key	Touch Key	*	Capture

*No Function.

J2 LED 배선

● LED ON ○ LED OFF

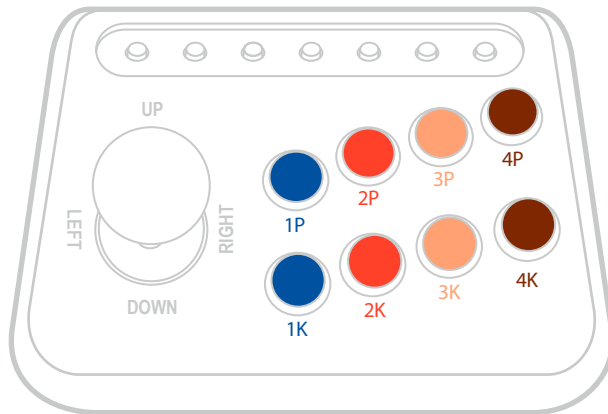
Player	PS5	PS4	PS3	XInput
1P				
2P				
3P				
4P				
5P
6P
7P

EN
TW
JP
KR

수동 선택 모드그만큼

PS5 / PS4 / PS3 / Switch 는 수동 설정이 가능하며.

수동 모드 작동 단계



단계 1. 버튼을 길게 누르십시오.

- 1P ● = PS3
- 2P ● = PS4 、 PS5
- 3P ● = PC
- 1K ● = Switch

단계 2. 큰 조이스틱을 PC 또는 호스트에 연결하십시오.

* 모드 설정 후 선택한 모드는 자동으로 저장됩니다.

* "Option (menu)" 을 길게 누르고 USB 를 컴퓨터 또는 게임콘솔에 다시 연결하면 자동 감지 모드로 전환됩니다.

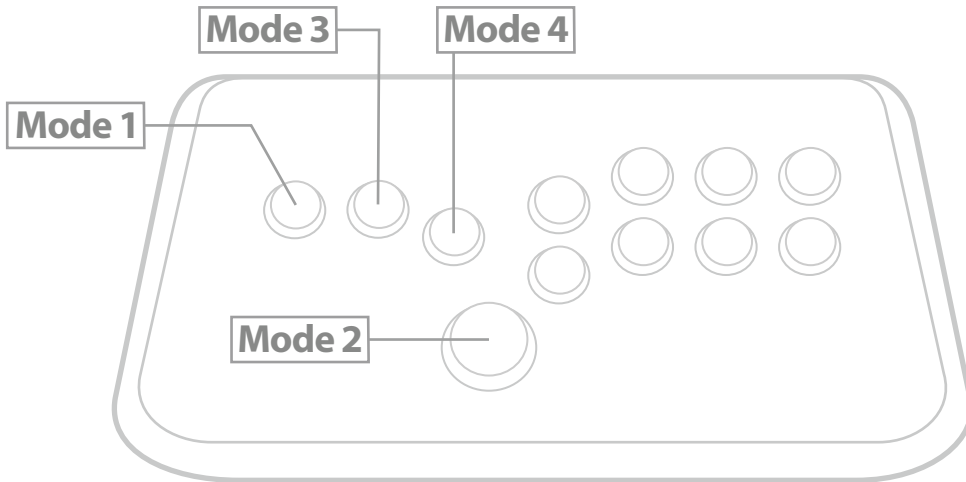
SOCD 모드 전환 안내

SOCD는 상반된 방향 명령이 충돌할 때 주요 출력 명령을 판별하는 모드를 나타냅니다.

1. 제조 시 기본 설정은 모드 1입니다.
2. SOCD 모드 설정은 자동으로 저장됩니다.

스위치 모드

먼저 해당 버튼을 누르고, 그 다음 전원 케이블을 본체에 삽입하여 모드를 전환하세요.



	Mode 1 UP Priority	Mode 2 CAPCOM / Neutral	Mode 3 Last Priority	Mode 4 BYPASS
← + →	Neutral	Neutral	→	← + →
→ + ←	Neutral		←	→ + ←
↑ + ↓	↑		↓	↑ + ↓
↓ + ↑	↑		↑	↓ + ↑



ZEROPLUS TECHNOLOGY CO.,LTD.

www.brookaccessory.com

더 다양한 정보를 원하시는 경우 공식 사이트
www.brookaccessory.com 을 방문해주세요.

©2023 Zeroplus Technology Co., Ltd. All Rights Reserved.
Brook is the registered trademark of Zeroplus Technology Co., Ltd. The other trademark names are the used marks, trademarks or registered trademarks of the corresponding companies.

