

UNIVERSAL FIGHTING BOARD



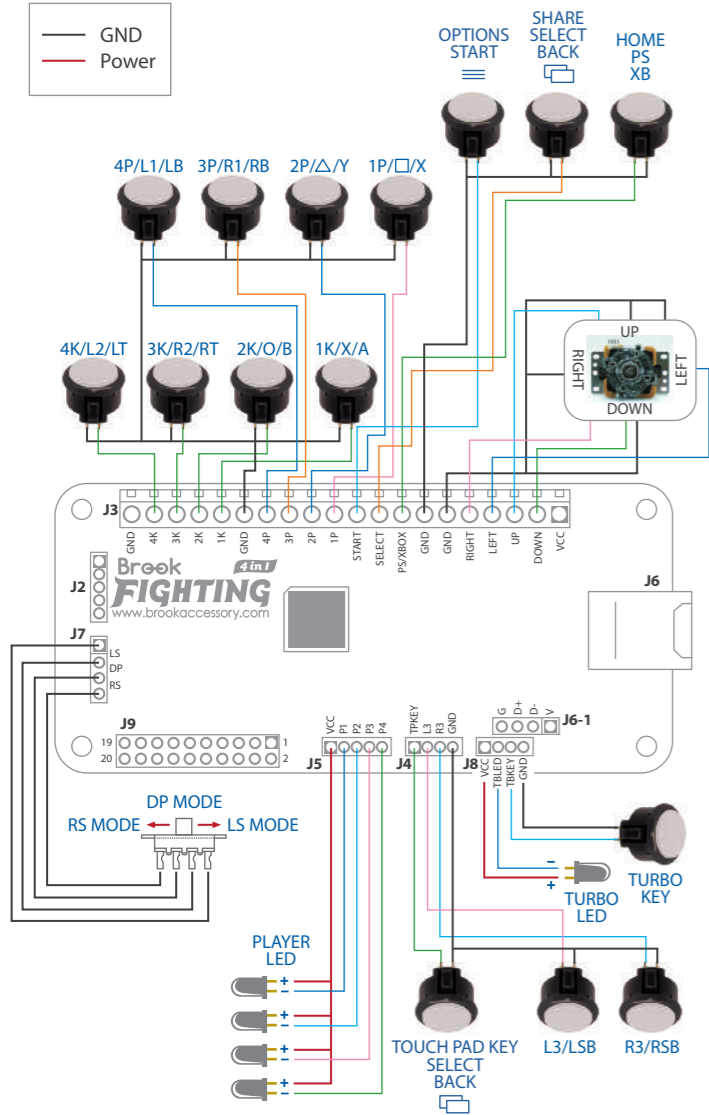
萬用格鬥板 FIGHTING BOARD



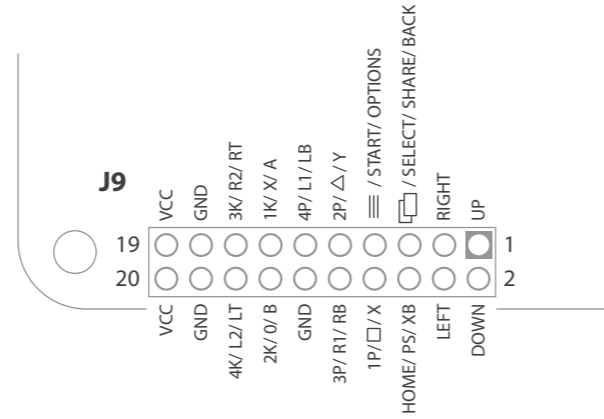
Instructions

Instructions for the Brook FIGHTING BOARD (Universal) connection.

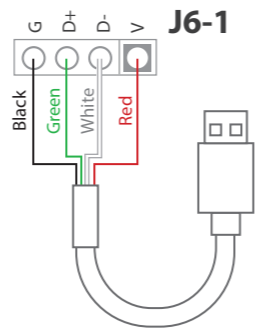
How to connect the keys



J9 Detail



J6 - 1 Detail



Brook Design, LLC.

www.brookaccessory.com
Visit our website for more information and assistance.

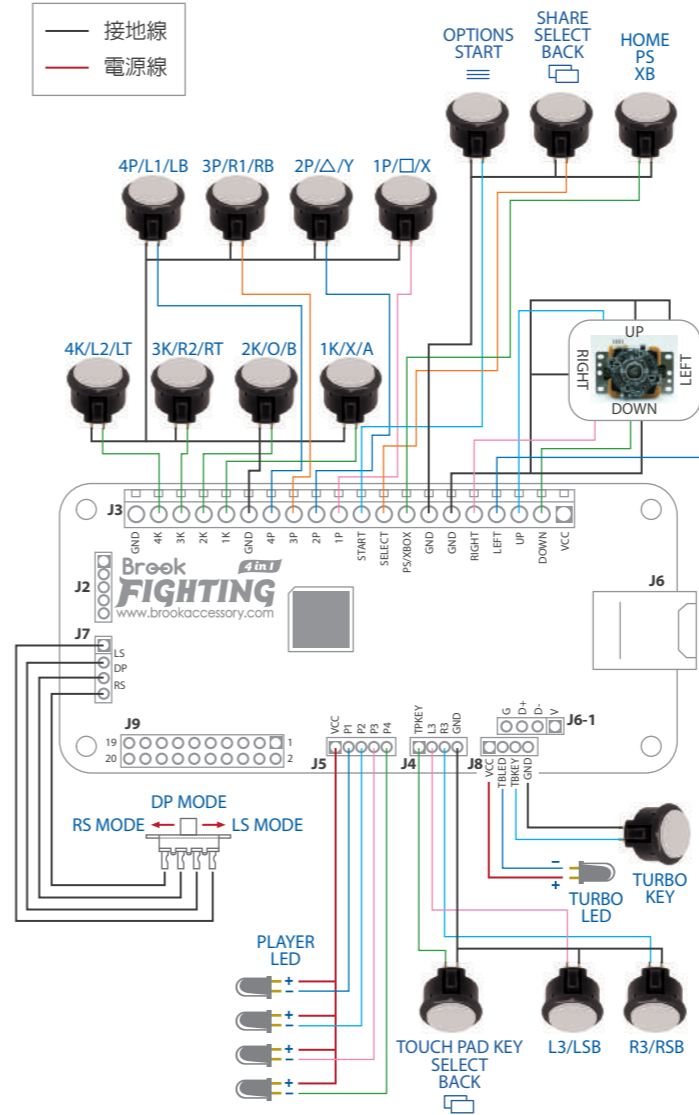
16, March, 2018



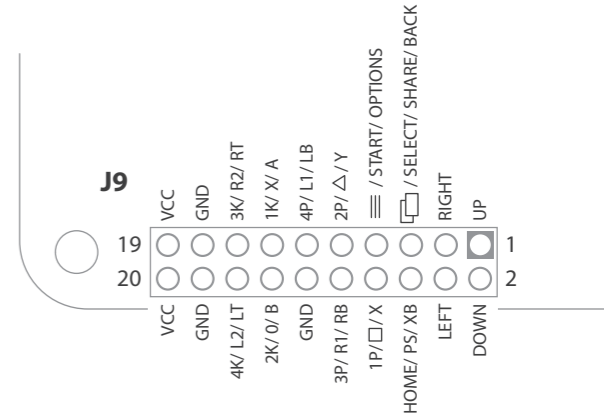
說明書

Brook 萬用格鬥板連結說明書

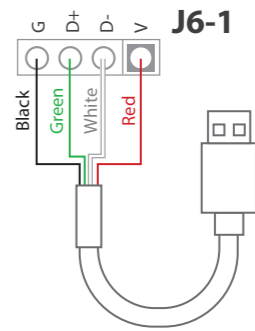
如何連接按鈕



J9 連接方式



J6 - 1 連接方式



Brook Design, LLC.

www.brookaccessory.com
Visit our website for more information and assistance.

3, 16, 2018



J5 Player LED Guide

● LED ON ○ LED OFF

Player	PS4	PS3	Xbox One	Xbox 360
1P	VCC P1 P2 P3 P4	VCC P1 P2 P3 P4	VCC P1 P2 P3 P4	VCC P1 P2 P3 P4
2P	VCC P1 P2 P3 P4	VCC P1 P2 P3 P4	VCC P1 P2 P3 P4	VCC P1 P2 P3 P4
3P	VCC P1 P2 P3 P4	VCC P1 P2 P3 P4	VCC P1 P2 P3 P4	VCC P1 P2 P3 P4
4P	VCC P1 P2 P3 P4	VCC P1 P2 P3 P4	VCC P1 P2 P3 P4	VCC P1 P2 P3 P4
5P	VCC P1 P2 P3 P4
6P	VCC P1 P2 P3 P4
7P	VCC P1 P2 P3 P4

J5 Player LED 連接方式

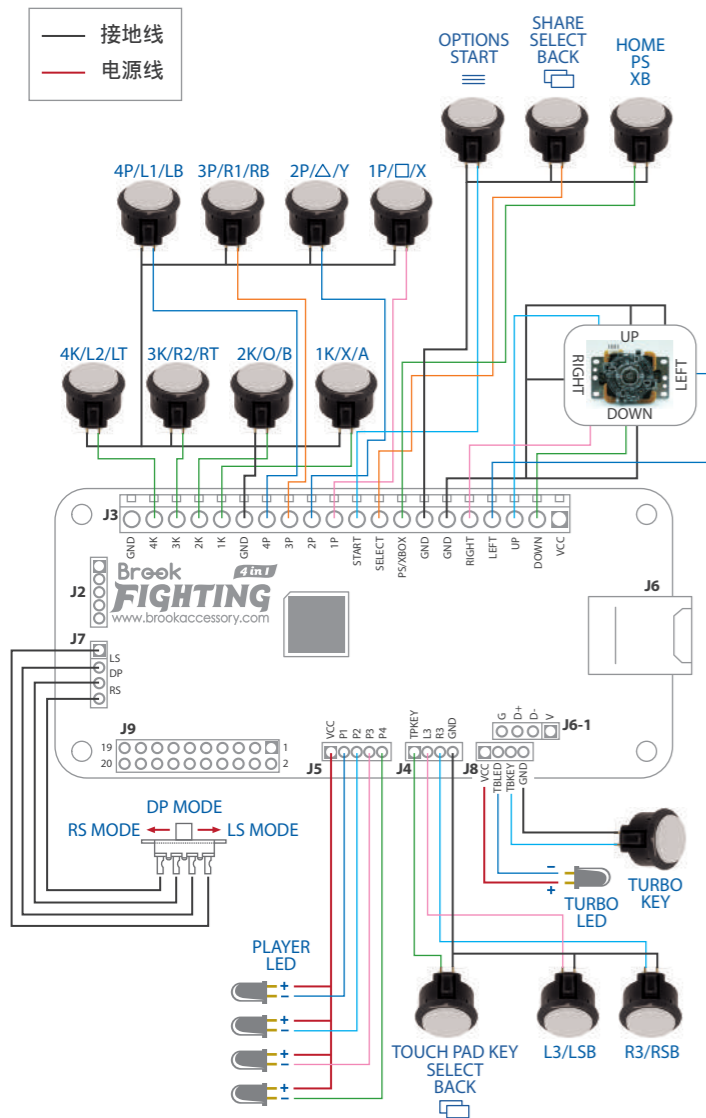
● LED ON ○ LED OFF

Player	PS4	PS3	Xbox One	Xbox 360
1P	VCC P1 P2 P3 P4	VCC P1 P2 P3 P4	VCC P1 P2 P3 P4	VCC P1 P2 P3 P4
2P	VCC P1 P2 P3 P4	VCC P1 P2 P3 P4	VCC P1 P2 P3 P4	VCC P1 P2 P3 P4
3P	VCC P1 P2 P3 P4	VCC P1 P2 P3 P4	VCC P1 P2 P3 P4	VCC P1 P2 P3 P4
4P	VCC P1 P2 P3 P4	VCC P1 P2 P3 P4	VCC P1 P2 P3 P4	VCC P1 P2 P3 P4
5P	VCC P1 P2 P3 P4
6P	VCC P1 P2 P3 P4
7P	VCC P1 P2 P3 P4

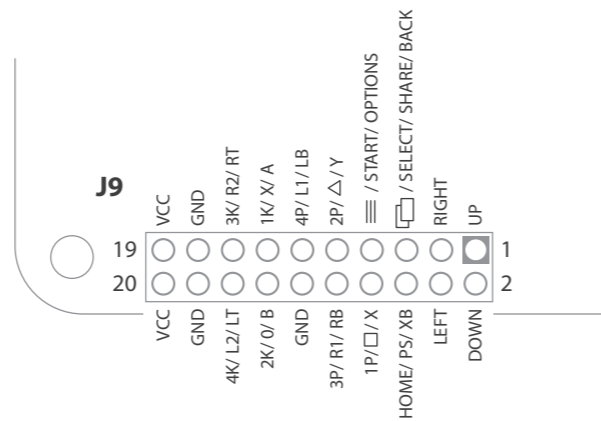
说明书

Brook 万用格斗板连接说明书

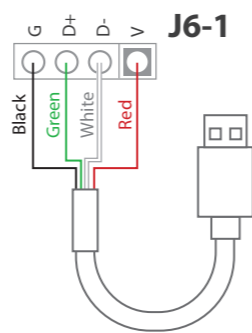
如何连接按钮



J9 连接方式



J6-1 连接方式



Brook Gaming series
Brook Design, LLC.

www.brookaccessory.com
 Visit our website for more information and assistance.

Copyright © Zeroplus Technology Co. Ltd All Rights Reserved
 Brook is the registered trademark of Brook Design, LLC.
 The other trademark names are the used marks, trademarks or registered trademarks of the corresponding companies.

3, 16, 2018



J5 Player LED 连接方式

● LED ON ○ LED OFF

Player	PS4	PS3	Xbox One	Xbox 360
1P	VCC P1 P2 P3 P4	VCC P1 P2 P3 P4	VCC P1 P2 P3 P4	VCC P1 P2 P3 P4
2P	VCC P1 P2 P3 P4	VCC P1 P2 P3 P4	VCC P1 P2 P3 P4	VCC P1 P2 P3 P4
3P	VCC P1 P2 P3 P4	VCC P1 P2 P3 P4	VCC P1 P2 P3 P4	VCC P1 P2 P3 P4
4P	VCC P1 P2 P3 P4	VCC P1 P2 P3 P4	VCC P1 P2 P3 P4	VCC P1 P2 P3 P4
5P	VCC P1 P2 P3 P4
6P	VCC P1 P2 P3 P4
7P	VCC P1 P2 P3 P4